



Made in France



Ref: CH 75 M

DIMENSIONS

Seat height : 75 cm

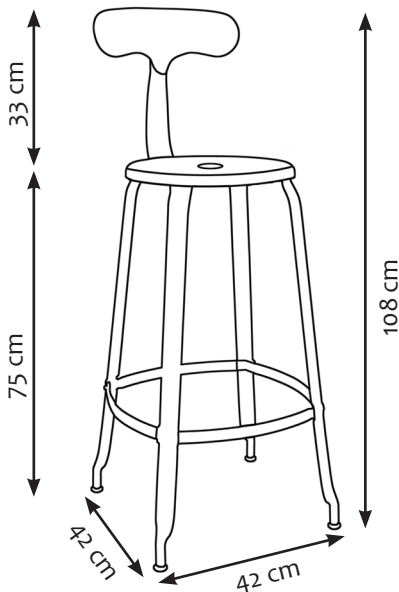
Seat height with backrest: 108 cm

On the ground: 42 x 42 cm

Seat diameter: 33,5 cm

WEIGHT

6,3 kg



CHAISES NICOLLE®

CHAIR H75 Metal

TECHNICAL SHEET



TECHNICAL SPECIFICATIONS

MANUFACTURER

SARL CHAISES NICOLLE

COUNTRY OF ORIGIN

France

DESCRIPTION

Metal chair with removable backrest

STRUCTURE

Stamped metal

CHAIR FEET

Polyethylene

POWDER COATING

AXALTA® POLYESTER AE GLOSS

Approvals: P-0634

STANDARD FINISHES

- RAL 9016 - Glossy White
- RAL 9005 - Matte Black
- RAL 7012 - Matte Basalt Grey
- RAL 3011 - Glossy Brown Red
- RAL 5018 - Glossy Turquoise Blue
- RAL 1007 - Glossy Daffodil Yellow
- Matte January 1 (Matte Dark Steel)
- February 4 (Steel Grey)
- Glossy Varnish Raw

CARE AND CLEANING

«Indoor» or sheltered «outdoor» use.
Dust with a dry or slightly wet cloth.
Do not use abrasive cleaners or harsh chemicals.
Do not expose to excessive humidity.