



Made in France



Ref: FAU 60

DIMENSIONS

Seat height : 60cm

Seat height with backrest: 93cm

Armrest width: 56cm

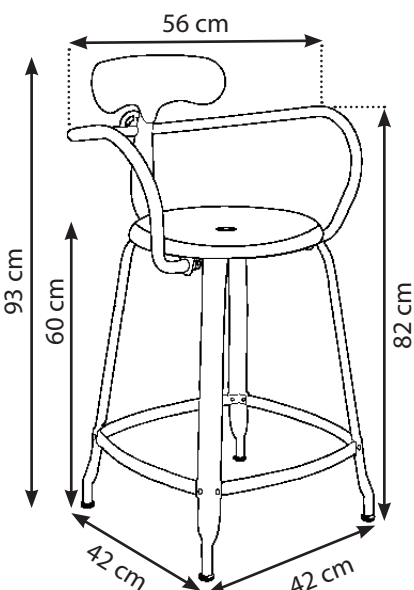
Armrest height: 82cm

On the ground: 42 x 42cm

Seat diameter: 36,5cm

WEIGHT

7,5kg



CHAISES NICOLLE®

ARMCHAIR H60 TECHNICAL SHEET



TECHNICAL SPECIFICATIONS

MANUFACTURER

SARL CHAISES NICOLLE

COUNTRY OF ORIGIN

France

DESCRIPTION

Armchair with tilting backrest and armrest

STRUCTURE

Stamped metal that can be adorned with a cushion or a Nicolle® leather seat pad

CHAIR FEET

Polyethylene

POWDER COATING

AXALTA® POLYESTER AE GLOSS
Approvals: P-0634

STANDARD FINISHES

- RAL 1007 - Glossy Daffodil Yellow
- RAL 3020 - Glossy Traffic Red
- RAL 2004 - Glossy Pure Orange
- RAL 5024 - Glossy Pastel Blue
- RAL 6003 - Matte Olive Green
- RAL 9005 - Matte Black
- RAL 9016 - Glossy White
- Matte January 1 (Matte Dark Steel)
- February 4 (Steel Grey)
- RAL 5017 - Textured Traffic Blue
- RAL 9010 - Textured Pure White

CARE AND CLEANING

«Indoor» or sheltered «outdoor» use.

Dust with a dry or slightly wet cloth.

Do not use abrasive cleaners or harsh chemicals.

Do not expose to excessive humidity.