



Made in France



Ref: CH B 45/60

**DIMENSIONS**

Seat height:

- Minimum: 17.7inch
- Maximum: 23.6inch

Height with backrest:

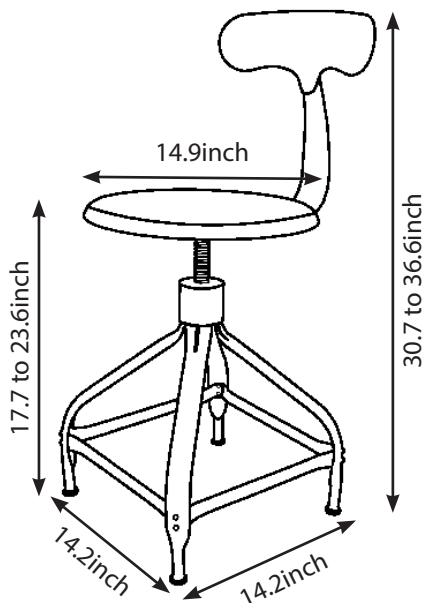
- Minimum: 30.7inch
- Maximum: 36.6inch

On the ground: 14.2 x 14.2inch

Seat diameter: 14.9inch

**WEIGHT**

14.3lbs



# CHAISES NICOLLE®

## ADJUSTABLE CHAIR 18/24inch Wood

### TECHNICAL SHEET



## TECHNICAL SPECIFICATIONS

<b>MANUFACTURER</b>	SARL CHAISES NICOLLE
<b>COUNTRY OF ORIGIN</b>	France
<b>DESCRIPTION</b>	Adjustable swivel metal chair with removable backrest and wooden seat
<b>STRUCTURE</b>	Stamped metal
<b>WOODEN SEAT</b>	Varnished beech. In accordance with PEFC ST 2002:2013 and 2001:2008 requirements
<b>CHAIR FEET</b>	Polyethylene
<b>POWDER COATING</b>	AXALTA® POLYESTER AE GLOSS Approvals: P-0634
<b>STANDARD FINISHES</b>	<ul style="list-style-type: none"> <li>- RAL 1007 - Glossy Daffodil Yellow</li> <li>- RAL 3020 - Glossy Traffic Red</li> <li>- RAL 2004 - Glossy Pure Orange</li> <li>- RAL 5024 - Glossy Pastel Blue</li> <li>- RAL 6003 - Matte Olive Green</li> <li>- RAL 9005 - Matte Black</li> <li>- RAL 9016 - Glossy White</li> <li>- Matte January 1 (Matte Dark Steel)</li> <li>- February 4 (Steel Grey)</li> <li>- RAL 5017 - Textured Traffic Blue</li> <li>- RAL 9010 - Textured Pure White</li> </ul>

**CARE AND CLEANING**

«Indoor» use only.  
 Dust with a dry or slightly wet cloth.  
 Do not use abrasive cleaners or harsh chemicals.  
 Do not expose to excessive humidity.