



Made in France



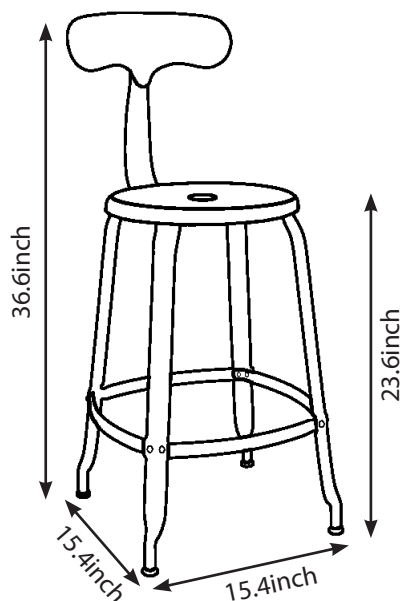
Ref: CH 60 M

DIMENSIONS

Seat height : 23.6inch
Seat height w/ backrest: 36.6inch
On the ground: 15.4 x 15.4inch
Seat diameter: 13.2inch

WEIGHT

12.3lbs



CHAISES NICOLLE®

CHAIR 24inch Metal

TECHNICAL SHEET



TECHNICAL SPECIFICATIONS

MANUFACTURER	SARL CHAISES NICOLLE
COUNTRY OF ORIGIN	France
DESCRIPTION	Metal chair with removable backrest
STRUCTURE	Stamped metal
CHAIR FEET	Polyethylene
POWDER COATING	AXALTA® POLYESTER AE GLOSS Approvals: P-0634
STANDARD FINISHES	<ul style="list-style-type: none">- RAL 1007 - Glossy Daffodil Yellow- RAL 3020 - Glossy Traffic Red- RAL 2004 - Glossy Pure Orange- RAL 5024 - Glossy Pastel Blue- RAL 6003 - Matte Olive Green- RAL 9005 - Matte Black- RAL 9016 - Glossy White- Matte January 1 (Matte Dark Steel)- February 4 (Steel Grey)- RAL 5017 - Textured Traffic Blue- RAL 9010 - Textured Pure White
CARE AND CLEANING	«Indoor» or sheltered «outdoor» use. Dust with a dry or slightly wet cloth. Do not use abrasive cleaners or harsh chemicals. Do not expose to excessive humidity.