



Made in France



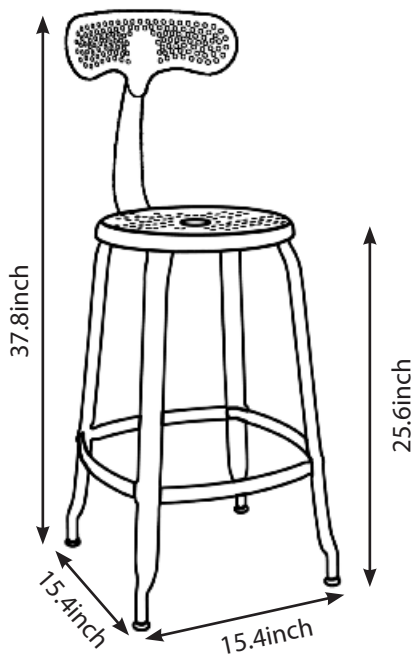
Ref: CH 65 O

**DIMENSIONS**

Seat height : 25.6inch  
Seat height w/ backrest: 37.8inch  
On the ground: 15.4 x 15.4inch  
Seat diameter: 13.2inch

**WEIGHT**

13.3lbs



# CHAISES NICOLLE®

## CHAIR 26inch OUTDOOR

### TECHNICAL SHEET



## TECHNICAL SPECIFICATIONS

<b>MANUFACTURER</b>	SARL CHAISES NICOLLE
<b>DESIGN</b>	Paola NAVONE - STUDIO OTTO
<b>COUNTRY OF ORIGIN</b>	France
<b>DESCRIPTION</b>	Metal chair with removable backrest
<b>SEAT AND BACKREST</b>	Perfomed metal
<b>CHAIR FEET</b>	Polyethylene
<b>ANTI-RUST TREATEMENT</b>	Aeronautical quality e-coating
<b>POWDER COATING</b>	AXALTA® POLYESTER AE FINE TEXTURE Approvals: P-0145, P-0846, P-0673, P-0800 et P1661
<b>STANDARD FINISHES</b>	- RAL 1007 - Glossy Daffodil Yellow - RAL 3020 - Glossy Traffic Red - RAL 2004 - Glossy Pure Orange - RAL 5024 - Glossy Pastel Blue - RAL 6003 - Matte Olive Green - RAL 9005 - Matte Black - RAL 9016 - Glossy White - February 4 (Steel Grey) - RAL 5017 - Textured Traffic Blue - RAL 9010 - Textured Pure White
<b>CARE AND CLEANING</b>	Outdoor use. By the sea, rinse regularly with freshwater. Dust with a dry or slightly wet cloth. Do not use abrasive cleaners or harsh chemicals.