



Made in France



Ref: CH 60 B

### DIMENSIONS

Seat height : 62cm

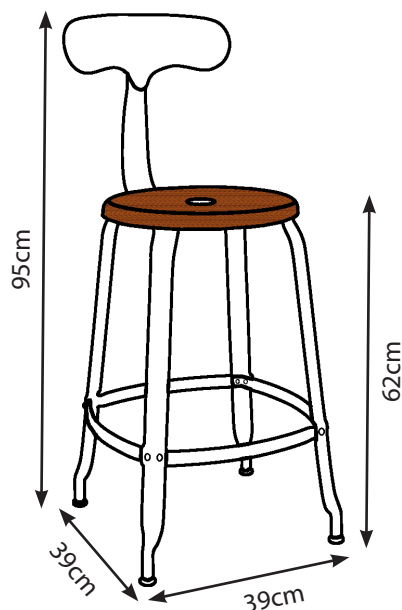
Seat height with backrest: 95cm

On the ground: 39 x 39cm

Seat diameter: 33,5cm

### WEIGHT

5,6 kg



# CHAISES NICOLLE®

## CHAIR H60 Wood

### TECHNICAL SHEET



## TECHNICAL SPECIFICATIONS

<b>MANUFACTURER</b>	SARL CHAISES NICOLLE
<b>COUNTRY OF ORIGIN</b>	France
<b>DESCRIPTION</b>	Metal chair with removable backrest and wooden seat
<b>STRUCTURE</b>	Stamped metal
<b>WOODEN SEAT</b>	Varnished beech. In accordance with PEFC ST 2002:2013 and 2001:2008 requirements
<b>CHAIR FEET</b>	Polyethylene
<b>POWDER COATING</b>	AXALTA® POLYESTER AE GLOSS Approvals: P-0634
<b>STANDARD FINISHES</b>	<ul style="list-style-type: none"><li>- RAL 1007 - Glossy Daffodil Yellow</li><li>- RAL 3020 - Glossy Traffic Red</li><li>- RAL 2004 - Glossy Pure Orange</li><li>- RAL 5024 - Glossy Pastel Blue</li><li>- RAL 6003 - Matte Olive Green</li><li>- RAL 9005 - Matte Black</li><li>- RAL 9016 - Glossy White</li><li>- Matte January 1 (Matte Dark Steel)</li><li>- February 4 (Steel Grey)</li><li>- RAL 5017 - Textured Traffic Blue</li><li>- RAL 9010 - Textured Pure White</li></ul>
<b>CARE AND CLEANING</b>	«Indoor» use only. Dust with a dry or slightly wet cloth. Do not use abrasive cleaners or harsh chemicals. Do not expose to excessive humidity.