



Made in France



Ref: CH M 65/80

DIMENSIONS

Seat height:

- Minimum: 65 cm
- Maximum: 80 cm

Height with backrest:

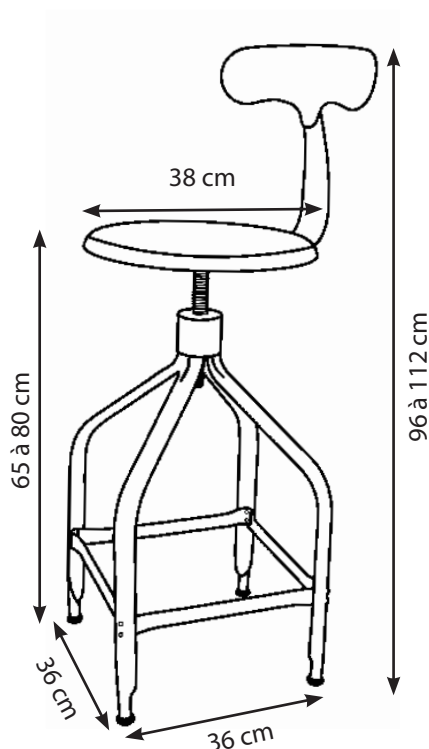
- Minimum: 96 cm
- Maximum: 112 cm

On the ground: 36 x 36 cm

Seat diameter: 38 cm

WEIGHT

8,2 kg



CHAISES NICOLLE® ADJUSTABLE CHAIR H65/H80 TECHNICAL SHEET



TECHNICAL SPECIFICATIONS

MANUFACTURER	SARL CHAISES NICOLLE
COUNTRY OF ORIGIN	France
DESCRIPTION	Adjustable swivel chair with removable backrest
STRUCTURE	Stamped metal
CHAIR FEET	Polyethylene
POWDER COATING	AXALTA® POLYESTER AE GLOSS Approvals: P-0634
STANDARD FINISHES	<ul style="list-style-type: none">- RAL 1007 - Glossy Daffodil Yellow- RAL 3020 - Glossy Traffic Red- RAL 2004 - Glossy Pure Orange- RAL 5024 - Glossy Pastel Blue- RAL 6003 - Matte Olive Green- RAL 9005 - Matte Black- RAL 9016 - Glossy White- Matte January 1 (Matte Dark Steel)- February 4 (Steel Grey)- RAL 5017 - Textured Traffic Blue- RAL 9010 - Textured Pure White

CARE AND CLEANING

«Indoor» or sheltered «outdoor» use.
Dust with a dry or slightly wet cloth.
Do not use abrasive cleaners or harsh chemicals.
Do not expose to excessive humidity.