



Made in France



Ref: CH 65 M

DIMENSIONS

Seat height : 65cm

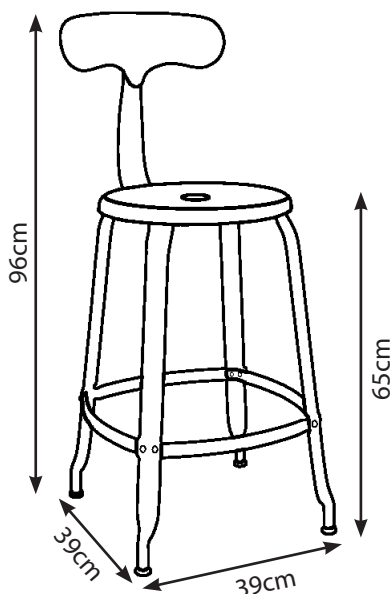
Seat height with backrest: 96cm

On the ground: 39 x 39cm

Seat diameter: 33,5cm

WEIGHT

6kg



CHAISES NICOLLE®

CHAIR H65 Metal TECHNICAL SHEET



TECHNICAL SPECIFICATIONS

MANUFACTURER

SARL CHAISES NICOLLE

COUNTRY OF ORIGIN

France

DESCRIPTION

Metal chair with removable backrest

STRUCTURE

Stamped metal

CHAIR FEET

Polyethylene

POWDER COATING

AXALTA® POLYESTER AE GLOSS

Approvals: P-0634

STANDARD FINISHES

- RAL 1007 - Glossy Daffodil Yellow
- RAL 3020 - Glossy Traffic Red
- RAL 2004 - Glossy Pure Orange
- RAL 5024 - Glossy Pastel Blue
- RAL 6003 - Matte Olive Green
- RAL 9005 - Matte Black
- RAL 9016 - Glossy White
- Matte January 1 (Matte Dark Steel)
- February 4 (Steel Grey)
- RAL 5017 - Textured Traffic Blue
- RAL 9010 - Textured Pure White

CARE AND CLEANING

«Indoor» or sheltered «outdoor» use.

Dust with a dry or slightly wet cloth.

Do not use abrasive cleaners or harsh chemicals.

Do not expose to excessive humidity.