



Made in France



Ref: CH 65 O

### DIMENSIONS

Seat height : 65cm

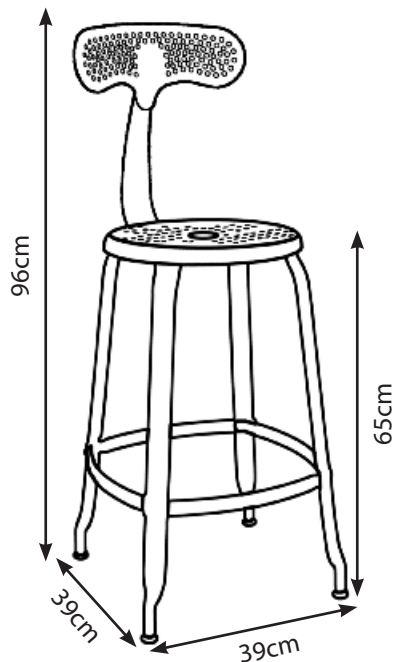
Seat height with backrest: 96cm

On the ground: 39 x 39cm

Seat diameter: 33,5cm

### WEIGHT

6,3 kg



# CHAISES NICOLLE® CHAIR H65 OUTDOOR TECHNICAL SHEET



## TECHNICAL SPECIFICATIONS

<b>MANUFACTURER</b>	SARL CHAISES NICOLLE
<b>DESIGN</b>	Paola NAVONE - STUDIO OTTO
<b>COUNTRY OF ORIGIN</b>	France
<b>DESCRIPTION</b>	Metal chair with removable backrest
<b>SEAT AND BACKREST</b>	Perforated metal
<b>CHAIR FEET</b>	Polyethylene
<b>ANTI-RUST TREATEMENT</b>	Aeronautical quality e-coating
<b>POWDER COATING</b>	AXALTA® POLYESTER AE FINE TEXTURE Approvals: P-0145, P-0846, P-0673, P-0800 et P1661
<b>STANDARD FINISHES</b>	<ul style="list-style-type: none"><li>- RAL 1007 - Glossy Daffodil Yellow</li><li>- RAL 3020 - Glossy Traffic Red</li><li>- RAL 2004 - Glossy Pure Orange</li><li>- RAL 5024 - Glossy Pastel Blue</li><li>- RAL 6003 - Matte Olive Green</li><li>- RAL 9005 - Matte Black</li><li>- RAL 9016 - Glossy White</li><li>- February 4 (Steel Grey)</li><li>- RAL 5017 - Textured Traffic Blue</li><li>- RAL 9010 - Textured Pure White</li></ul>
<b>CARE AND CLEANING</b>	Outdoor use. By the sea, rinse regularly with freshwater. Dust with a dry or slightly wet cloth. Do not use abrasive cleaners or harsh chemicals.