



Made in France



Ref: CH 75 M

DIMENSIONS

Seat height : 75cm

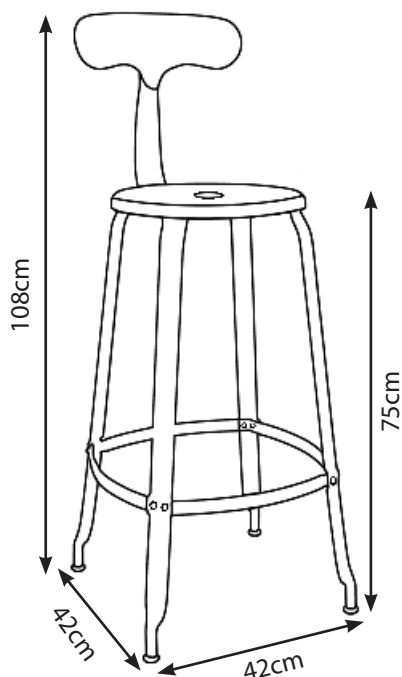
Seat height with backrest: 108cm

On the ground: 42 x 42cm

Seat diameter: 33,5cm

WEIGHT

6,3kg



CHAISES NICOLLE®

CHAIR H75 Metal TECHNICAL SHEET



TECHNICAL SPECIFICATIONS

MANUFACTURER

SARL CHAISES NICOLLE

COUNTRY OF ORIGIN

France

DESCRIPTION

Metal chair with removable backrest

STRUCTURE

Stamped metal

CHAIR FEET

Polyethylene

POWDER COATING

AXALTA® POLYESTER AE GLOSS

Approvals: P-0634

STANDARD FINISHES

- RAL 1007 - Glossy Daffodil Yellow
- RAL 3020 - Glossy Traffic Red
- RAL 2004 - Glossy Pure Orange
- RAL 5024 - Glossy Pastel Blue
- RAL 6003 - Matte Olive Green
- RAL 9005 - Matte Black
- RAL 9016 - Glossy White
- Matte January 1 (Matte Dark Steel)
- February 4 (Steel Grey)
- RAL 5017 - Textured Traffic Blue
- RAL 9010 - Textured Pure White

CARE AND CLEANING

«Indoor» or sheltered «outdoor» use.

Dust with a dry or slightly wet cloth.

Do not use abrasive cleaners or harsh chemicals.

Do not expose to excessive humidity.

CHAISES NICOLLE® - 106, RUE VIEILLE DU TEMPLE • 75003 PARIS • +33 (0)1 42 71 61 37

+33 (0)1 73 55 72 76 • contact@chaises-nicolle.fr • www.chaises-nicolle.fr

SARL AU CAPITAL DE 1500 EUROS • RCS PARIS 511 716 359 • TVA FR 26511716359 • EORI FR 511 716 359 00035