



Made in France



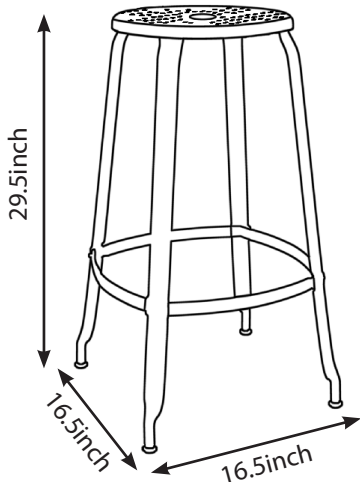
Ref: TB 75 O

DIMENSIONS

Seat height : 29.5inch
On the ground: 16.5 x 16.5inch
Seat diameter: 13.2inch

WEIGHT

11lbs



CHAISES NICOLLE® STOOL 30inch OUTDOOR TECHNICAL SHEET



TECHNICAL SPECIFICATIONS

MANUFACTURER	SARL CHAISES NICOLLE
DESIGN	Paola NAVONE - STUDIO OTTO
COUNTRY OF ORIGIN	France
DESCRIPTION	Metal stool without backrest
SEAT	Perforated metal
CHAIR FEET	Polyethylene
ANTI-RUST TREATEMENT	Aeronautical quality e-coating
POWDER COATING	AXALTA® POLYESTER AE FINE TEXTURE Approvals: P-0145, P-0846, P-0673, P-0800 et P1661
STANDARD FINISHES	<ul style="list-style-type: none">- RAL 1007 - Glossy Daffodil Yellow- RAL 3020 - Glossy Traffic Red- RAL 2004 - Glossy Pure Orange- RAL 5024 - Glossy Pastel Blue- RAL 6003 - Matte Olive Green- RAL 9005 - Matte Black- RAL 9016 - Glossy White- February 4 (Steel Grey)- RAL 5017 - Textured Traffic Blue- RAL 9010 - Textured Pure White
CARE AND CLEANING	Outdoor use. By the sea, rinse regularly with freshwater. Dust with a dry or slightly wet cloth. Do not use abrasive cleaners or harsh chemicals.