



Made in France



Ref: TB 75 B

### DIMENSIONS

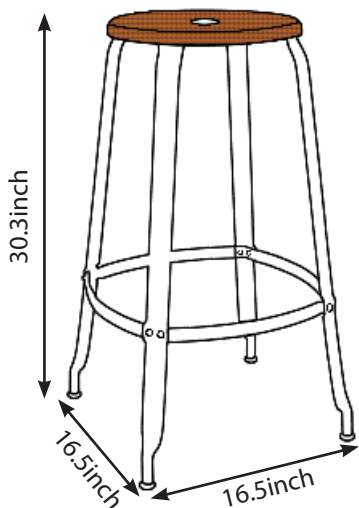
Seat height : 30.3inch

On the ground: 16.5 x 16.5inch

Seat diameter: 13.2inch

### WEIGHT

10.6 lbs



# CHAISES NICOLLE®

## STOOL 30inch Wood

### TECHNICAL SHEET



## TECHNICAL SPECIFICATIONS

<b>MANUFACTURER</b>	SARL CHAISES NICOLLE
<b>COUNTRY OF ORIGIN</b>	France
<b>DESCRIPTION</b>	Metal stool without backrest and wooden seat
<b>STRUCTURE</b>	Stamped metal
<b>WOODEN SEAT</b>	Varnished beech. In accordance with PEFC ST 2002:2013 and 2001:2008 requirements
<b>CHAIR FEET</b>	Polyethylene
<b>POWDER COATING</b>	AXALTA® POLYESTER AE GLOSS Approvals: P-0634
<b>STANDARD FINISHES</b>	<ul style="list-style-type: none"><li>- RAL 1007 - Glossy Daffodil Yellow</li><li>- RAL 3020 - Glossy Traffic Red</li><li>- RAL 2004 - Glossy Pure Orange</li><li>- RAL 5024 - Glossy Pastel Blue</li><li>- RAL 6003 - Matte Olive Green</li><li>- RAL 9005 - Matte Black</li><li>- RAL 9016 - Glossy White</li><li>- Matte January 1 (Matte Dark Steel)</li><li>- February 4 (Steel Grey)</li><li>- RAL 5017 - Textured Traffic Blue</li><li>- RAL 9010 - Textured Pure White</li></ul>

### CARE AND CLEANING

«Indoor» use only.

Dust with a dry or slightly wet cloth.

Do not use abrasive cleaners or harsh chemicals.

Do not expose to excessive humidity.