



Made in France



Ref: TB 45 L

### DIMENSIONS

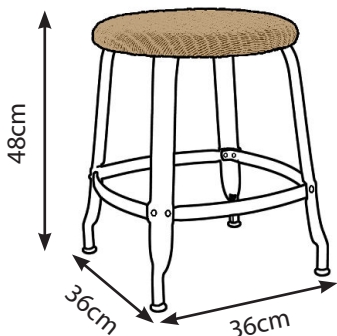
Seat height : 48cm

On the ground: 36 x 36cm

Seat diameter: 33,5cm

### WEIGHT

4,5 kg



# CHAISES NICOLLE®

## STOOL H45 Loom

### TECHNICAL SHEET



## TECHNICAL SPECIFICATIONS

<b>MANUFACTURER</b>	SARL CHAISES NICOLLE
<b>COUNTRY OF ORIGIN</b>	France
<b>DESCRIPTION</b>	Metal stool without backrest and Loom woven seat
<b>STRUCTURE</b>	Stamped metal
<b>SEAT</b>	Laminated wood covered with varnished «Lloyd Loom» weave. FSC Certified.
<b>CHAIR FEET</b>	Polyethylene
<b>POWDER COATING</b>	AXALTA® POLYESTER AE GLOSS Approvals: P-0634
<b>STANDARD FINISHES</b>	- RAL 1007 - Glossy Daffodil Yellow - RAL 3020 - Glossy Traffic Red - RAL 2004 - Glossy Pure Orange - RAL 5024 - Glossy Pastel Blue - RAL 6003 - Matte Olive Green - RAL 9005 - Matte Black - RAL 9016 - Glossy White - Matte January 1 (Matte Dark Steel) - February 4 (Steel Grey) - RAL 5017 - Textured Traffic Blue - RAL 9010 - Textured Pure White
<b>CARE AND CLEANING</b>	«Indoor» use only. Dust with a dry or slightly wet cloth. Do not use abrasive cleaners or harsh chemicals. Do not expose to excessive humidity.