



Made in France



Ref: TB 75 L

DIMENSIONS

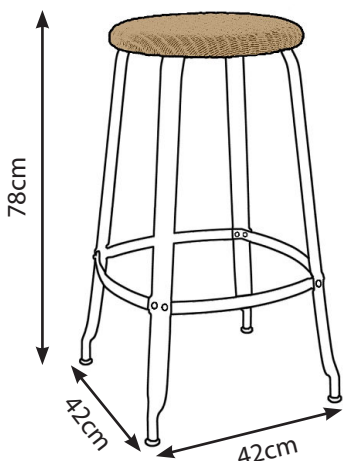
Seat height : 78cm

On the ground: 42 x 42cm

Seat diameter: 33,5cm

WEIGHT

5,5 kg



CHAISES NICOLLE®

STOOL H75 Loom

TECHNICAL SHEET



TECHNICAL SPECIFICATIONS

MANUFACTURER	SARL CHAISES NICOLLE
COUNTRY OF ORIGIN	France
DESCRIPTION	Metal stool without backrest and Loom woven seat
STRUCTURE	Stamped metal
SEAT	Laminated wood covered with varnished «Lloyd Loom» weave. FSC Certified.
CHAIR FEET	Polyethylene
POWDER COATING	AXALTA® POLYESTER AE GLOSS Approvals: P-0634
STANDARD FINISHES	<ul style="list-style-type: none">- RAL 1007 - Glossy Daffodil Yellow- RAL 3020 - Glossy Traffic Red- RAL 2004 - Glossy Pure Orange- RAL 5024 - Glossy Pastel Blue- RAL 6003 - Matte Olive Green- RAL 9005 - Matte Black- RAL 9016 - Glossy White- Matte January 1 (Matte Dark Steel)- February 4 (Steel Grey)- RAL 5017 - Textured Traffic Blue- RAL 9010 - Textured Pure White
CARE AND CLEANING	«Indoor» use only. Dust with a dry or slightly wet cloth. Do not use abrasive cleaners or harsh chemicals. Do not expose to excessive humidity.