



Made in France



Ref: TB 75 M

DIMENSIONS

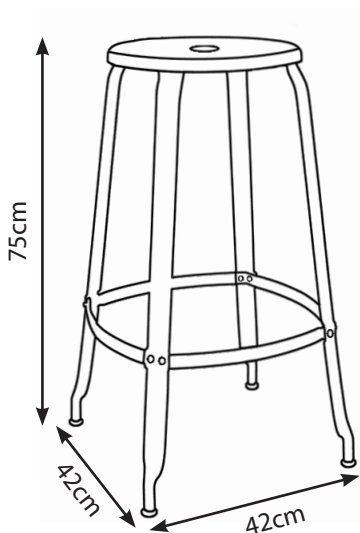
Seat height : 75cm

On the ground: 42 x 42cm

Seat diameter: 33,5cm

WEIGHT

5kg



CHAISES NICOLLE®

STOOL H75 Metal TECHNICAL SHEET



TECHNICAL SPECIFICATIONS

MANUFACTURER	SARL CHAISES NICOLLE
COUNTRY OF ORIGIN	France
DESCRIPTION	Metal stool without backrest
STRUCTURE	Stamped metal
CHAIR FEET	Polyethylene
POWDER COATING	AXALTA® POLYESTER AE GLOSS Approvals: P-0634
STANDARD FINISHES	<ul style="list-style-type: none">- RAL 1007 - Glossy Daffodil Yellow- RAL 3020 - Glossy Traffic Red- RAL 2004 - Glossy Pure Orange- RAL 5024 - Glossy Pastel Blue- RAL 6003 - Matte Olive Green- RAL 9005 - Matte Black- RAL 9016 - Glossy White- Matte January 1 (Matte Dark Steel)- February 4 (Steel Grey)- RAL 5017 - Textured Traffic Blue- RAL 9010 - Textured Pure White
CARE AND CLEANING	«Indoor» or sheltered «outdoor» use. Dust with a dry or slightly wet cloth. Do not use abrasive cleaners or harsh chemicals. Do not expose to excessive humidity.