



Made in France



Ref: CH 65 M

### DIMENSIONS

Seat height : 65 cm

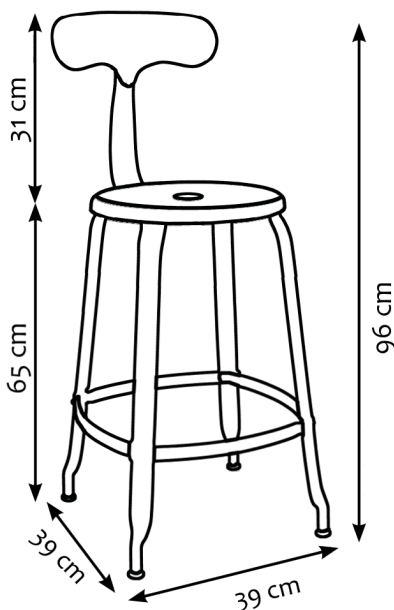
Seat height with backrest: 96 cm

On the ground: 39 x 39 cm

Seat diameter: 33,5 cm

### WEIGHT

6 kg



# CHAISES NICOLLE®

## CHAIR H65 Metal

### TECHNICAL SHEET



## TECHNICAL SPECIFICATIONS

#### MANUFACTURER

SARL CHAISES NICOLLE

#### COUNTRY OF ORIGIN

France

#### DESCRIPTION

Metal chair with removable backrest

#### STRUCTURE

Stamped metal

#### CHAIR FEET

Polyethylene

#### POWDER COATING

AXALTA® POLYESTER AE GLOSS

Approvals: P-0634

#### STANDARD FINISHES

- RAL 9016 - Glossy White
- RAL 9005 - Matte Black
- RAL 7012 - Matte Basalt Grey
- RAL 3011 - Glossy Brown Red
- RAL 5018 - Glossy Turquoise Blue
- RAL 1007 - Glossy Daffodil Yellow
- Matte January 1 (Matte Dark Steel)
- February 4 (Steel Grey)
- Glossy Transparent Varnish (Varnish Raw)

#### CARE AND CLEANING

«Indoor» or sheltered «outdoor» use.  
Dust with a dry or slightly wet cloth.  
Do not use abrasive cleaners or harsh chemicals.  
Do not expose to excessive humidity.